

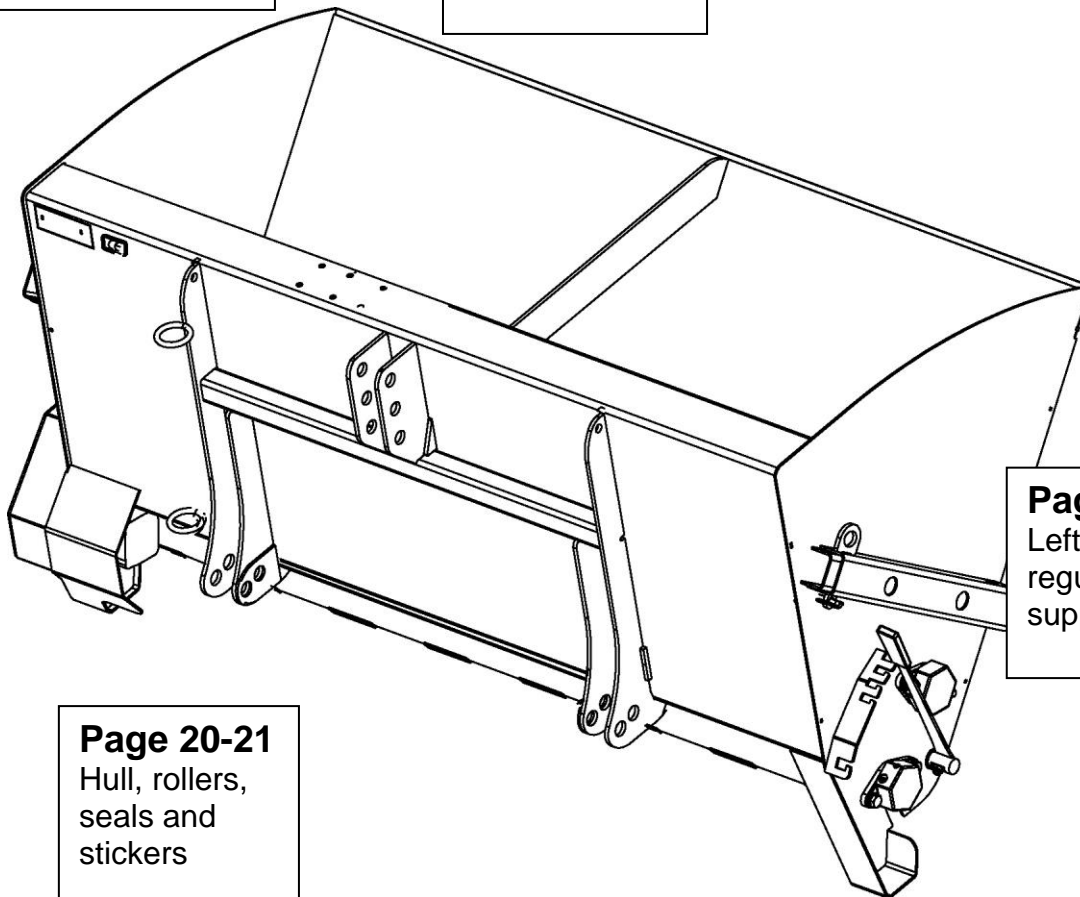


Page 22-25

Right side oil engine, bearings and drive train

Page 28-29

Control valve and parts

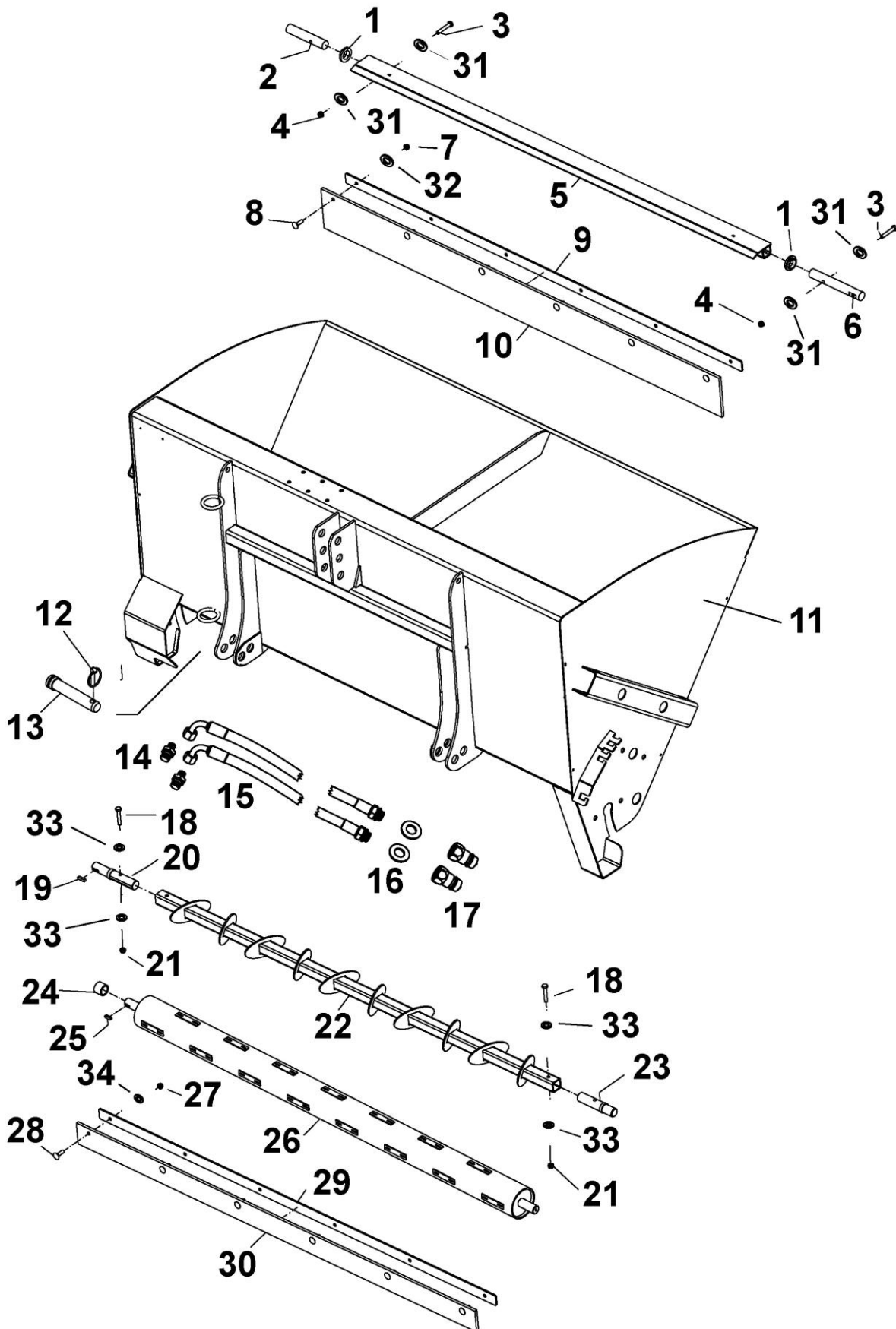


Page 26-27

Left side bearings, regulation and support legs

Page 20-21

Hull, rollers, seals and stickers



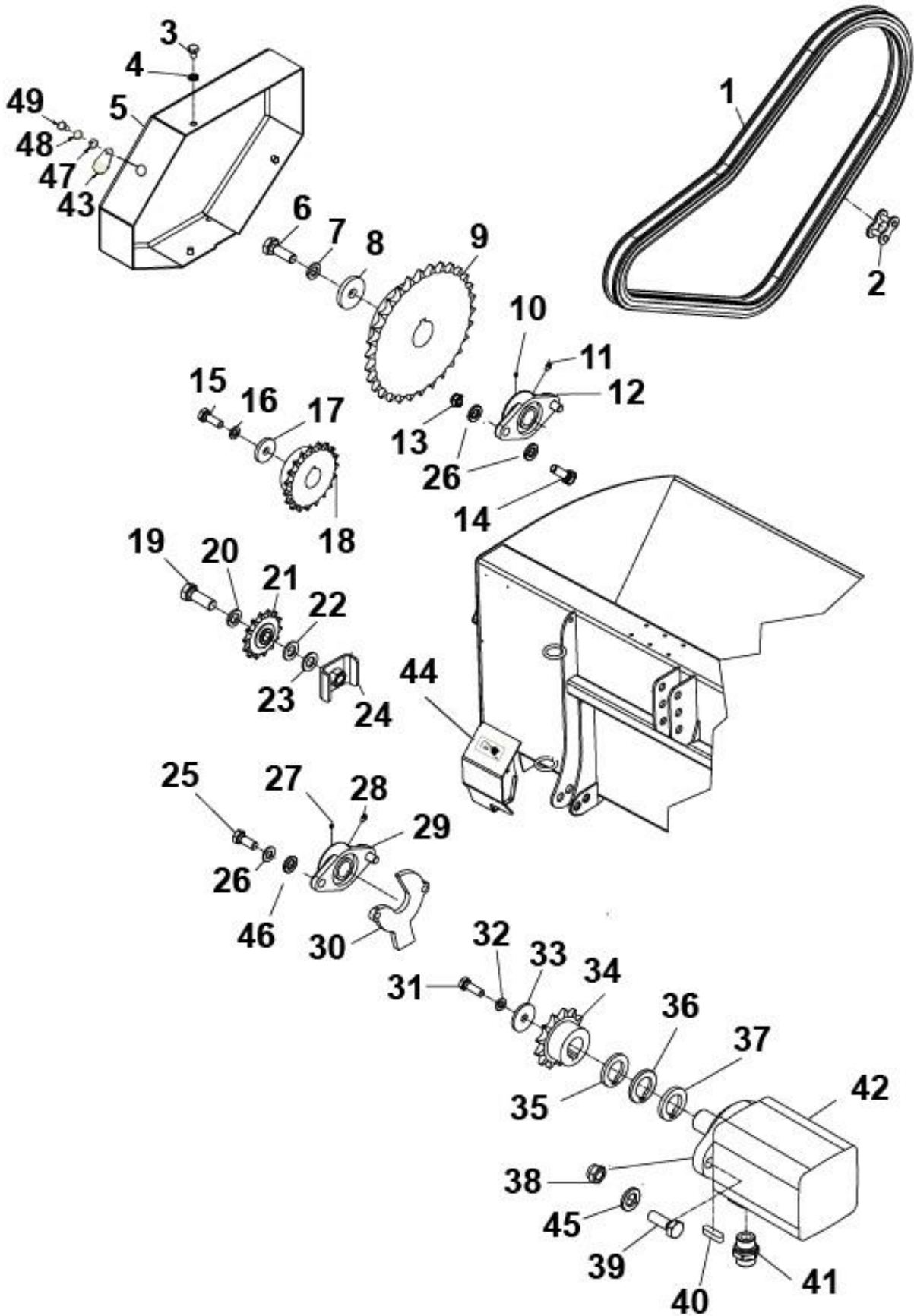


Group: 126-1	Hull, rollers, seals and stickers	Edition: 9.2008
--------------	-----------------------------------	-----------------

Pos.no.	Quantity	Designation	Article no.	Comment
1	2	Washer Ø50-38 POM	14120168	
2	1	Shaft	1261183	
3	2	Hexagon screw M10x60 acid resistant	2426310	
4	2	Hexagon locking nut M10 acid resistant	2483810	
5	1	Quantity regulation plate	1261170	
6	1	Shaft	1261178	
7	8	Hexagon locking nut M10 acid resistant	2483810	
8	8	Locking head screw M10x40 acid resistant	2444303	
9	1	Clamp plate	1261172	
10	1	Rubber plate quantity regulation	2222164	
11	1	Case SA1500	1261130	
12	2	Linchpin Ø10x40mm	2556142	
13	2	Drawbar bolt Cat. II	2551730	
14	2	Hexagon nipple BSP ½" ext. check 15	2957768	
15	2	½" hose R2T L 2580 SA	2958144	
16	2	Hydraulic gasket ½" BSP	2957861	
17	2	Quick coupling ½" ISO male	2957860	
18	2	Hexagon screw M10x60 acid resistant	2426310	
19	1	Cotter 8x7 L36	2115131	
20	1	Shaft	1261182	
21	2	Hexagon locking nut M10 acid resistant	2483810	
22	1	Stirrer SA1500	1261140	
23	1	Shaft	1261181	
24	1	Sleeve	1261151	
25	1	Cotter 8x7 L36	2115131	
26	1	Roller SA1500	1261150	
27	8	Hexagon locking nut M10 acid resistant	2483810	
28	8	Locking head screw M10x40 acid resistant	2444303	
29	1	Clamp plate	1261172	
30	1	Rubber seal	2222174	
31	4	Washer M10 acid resistant	2537060	
32	8	Washer M10 acid resistant	2537060	
33	4	Washer M10 acid resistant	2537060	
34	8	Washer M10 acid resistant	2537060	



Group: 126-1	Right side oil motor, bearings and drive train (in the direction of traffic)	Edition: 9.2008
--------------	---	-----------------





Group: 126-1-	Right side oil motor, bearings and drive train (in the direction of traffic)	Edition:9.2008
---------------	---	----------------

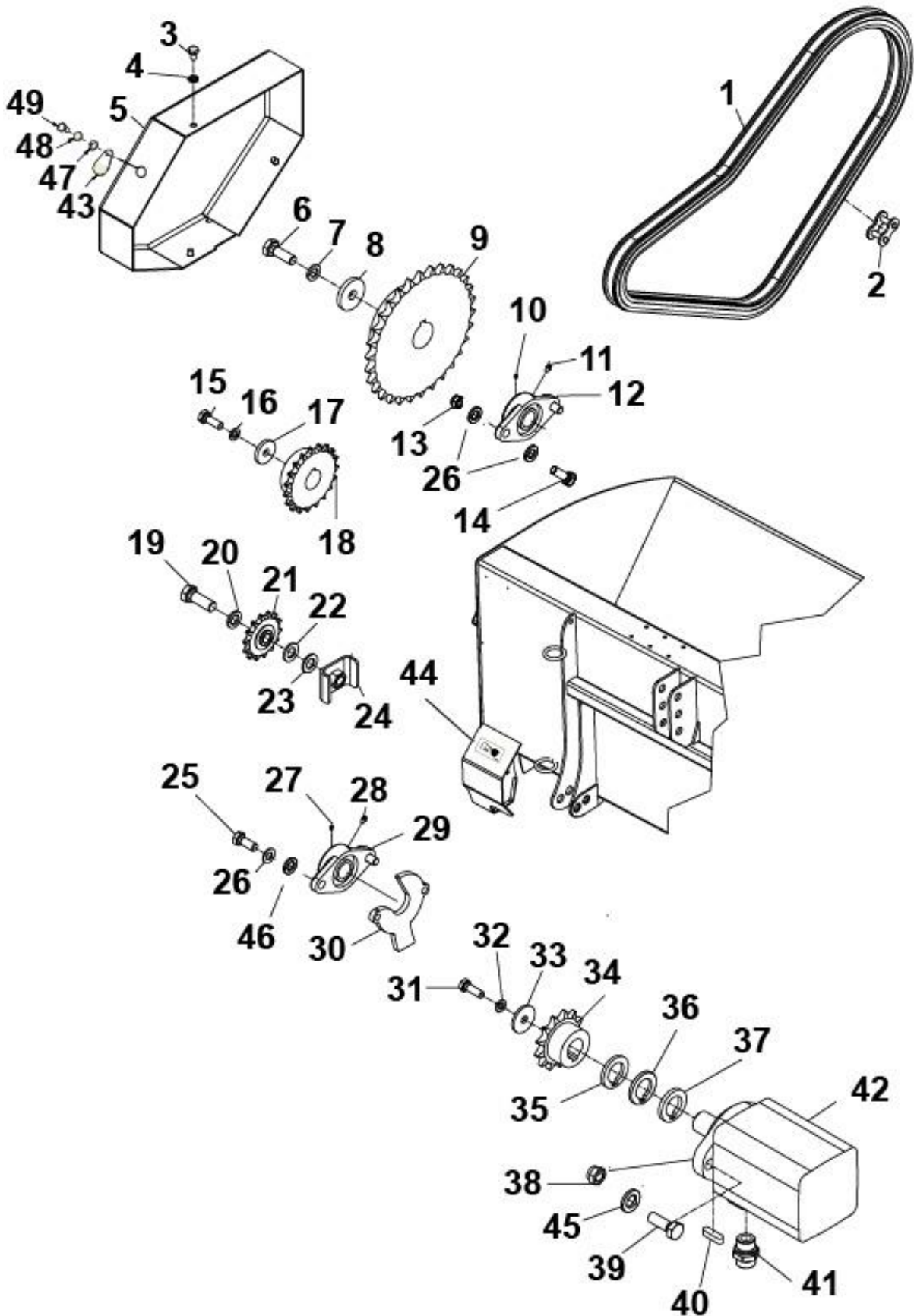
Pos.no.	Quantity	Designation	Article no.	Comment
1	1	Chain 3/4" simplex 63 links	2963110	
2	1	Chain lock 3/4" simplex	2963154	
3	2	Hexagon screw M10x20 galv.	2422295	
4	2	Spring washer M10 galv.	2534060	
5	1	Chain case	1261180	
6	1	Hexagon screw M10x25 galv.	2422297	
7	1	Spring washer M10 galv.	2534060	
8	1	Washer	1411299	
9	1	Chain wheel 38t. 3/4"	2964193	
10	2	Unbrako set screw M6x8	2473195	
11	1	Grease nipple straight M6	2478409	
12	1	Flange bearing UCFL 206	2954171	
13	2	Hexagon locking nut M14 galv.	2483612	
14	2	Hexagon screw M14x45 galv.	2422400	
15	1	Hexagon screw M10x25 galv.	2422297	
16	1	Spring washer M10 galv.	2534060	
17	1	Washer	1411299	
18	1	Chain wheel 25t 3/4"	2964185	
19	1	Hexagon screw M16x50 galv.	2422493	
20	1	Spring washer M16 galv.	2534078	
21	1	Chain tensioner wheel 3/4" 13t	2954118	
22	1	Washer M16 galv.	2531078	
23	1	Washer M16 galv.	2531078	
24	1	Nut plate	1261179	
25	2	Hexagon screw M14x35 galv.	2422396	
26	2	Washer M14 galv.	2531072	
27	2	Unbrako set screw M6x8	2473195	
28	1	Grease nipple straight M6	2478409	
29	1	Flange bearing UCFL 206	2954171	



Group: 126-1

Right side oil motor, bearings and drive train
(in the direction of traffic)

Edition: 9.2008





Group: 126-1-	Right side oil motor, bearings and drive train (in the direction of traffic)	Edition:9.2008
---------------	---	----------------

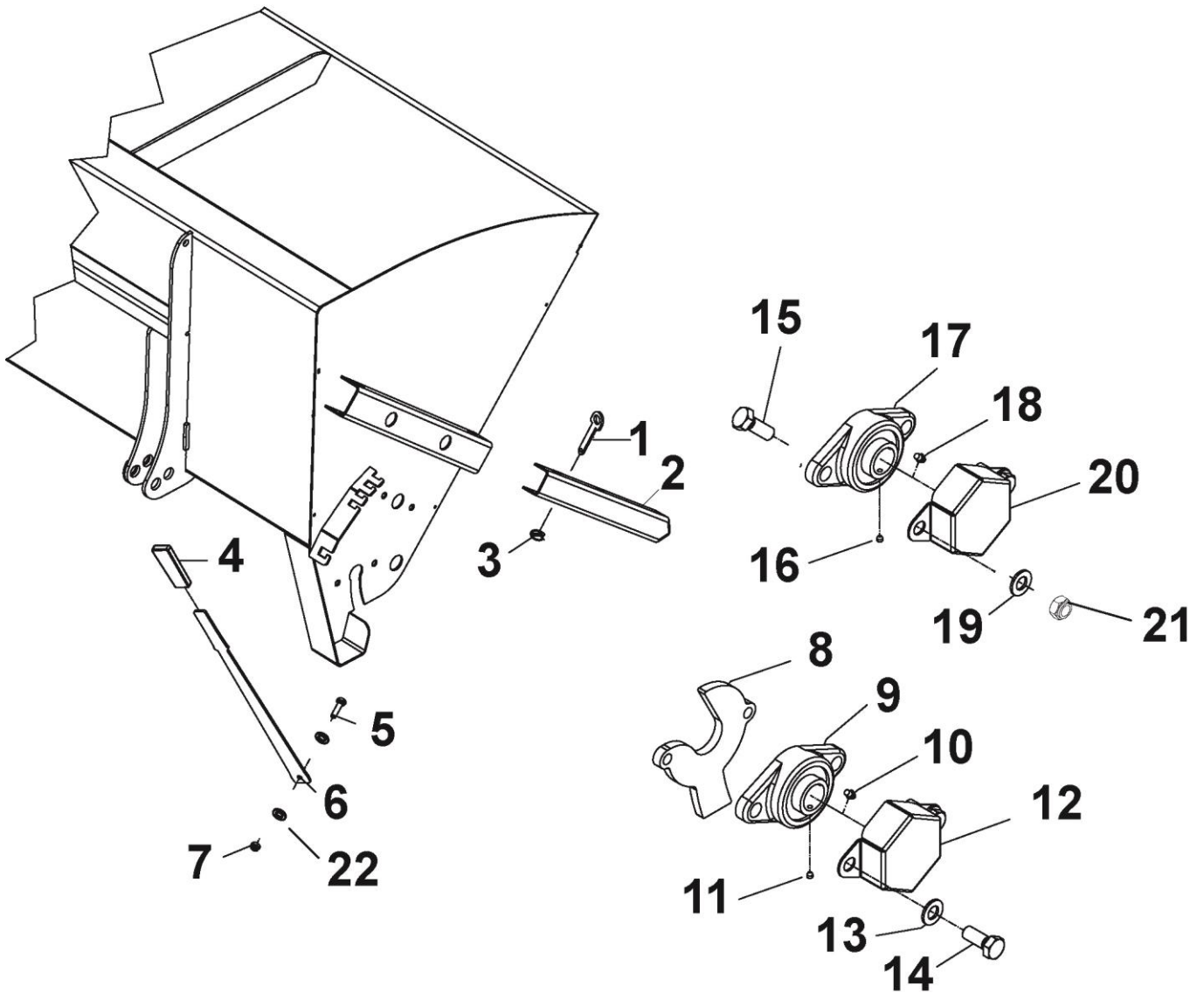
Pos.no.	Quantity	Designation	Article no.	Comment
30	1	Sealing plate	1261184	
31	1	Hexagon screw M8x25 galv.	2422246	
32	1	Spring washer M8 galv.	2534047	
33	1	Body washer Ø9/35x3mm DIN522	2533058	
34	1	Chain wheel 17t 3/4"	2964180	
35	1	Sleeve	1261585	
36	1	Sleeve	1261585	
37	1	Sleeve	1261585	
38	2	Hexagon locking nut M12 galv.	2483611	
39	2	Hexagon screw M12x40 galv.	2422352	
40	1	Wedge 8x7mm l-30mm	2115127	
41	2	Hexagon nipple 1/2" L-15mm	2957768	
42	1	Roller motor WR 236 ccmA	2955511	
43	1	Lid	1261196	
44	1	CE mark 75x40mm lubrication "OIL"	2935039	
45	2	Washer M12 galv.	2531069	
46	2	Spring washer M14 galv.	2534072	
47	1	Hexagon screw M8x16 EIZn 8.8 DIN 933	2422240	
48	1	Spring washer M8 EIZn DIN 127	2534047	
49	1	Washer M8 EIZn DIN 125	2531047	



Group: 126-1-

Left side bearings, regulation and support legs (in the direction of traffic)

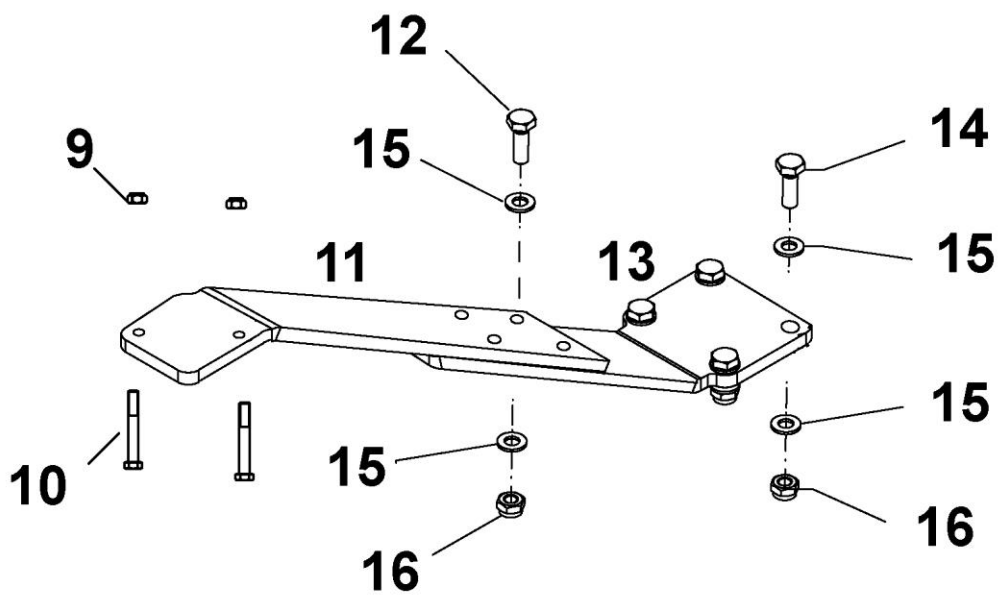
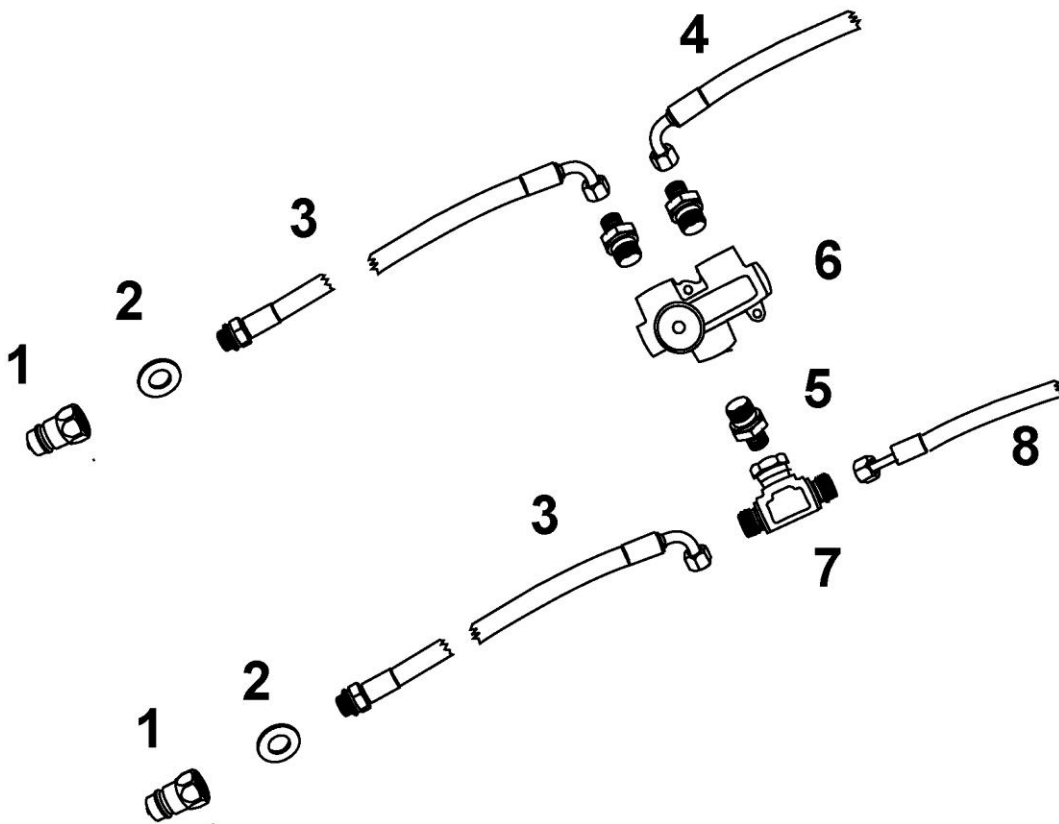
Edition: 9.2008





Group: 126-1-	Left side bearings, regulation and support legs (in the direction of traffic)	Edition: 9.2008
---------------	---	-----------------

Pos.no.	Quantity	Designation	Article no.	Comment
1	2	Locking pin	1261186	
2	2	Support leg SA1500	1261175	
3	2	Linchpin Ø10x40mm	2556142	
4	1	Plastic handle	2245062	
5	1	Hexagon screw M10x45 galv.	2422305	
6	1	Lever	1261131	
7	1	Hexagon locking nut M10 galv.	2483610	
8	1	Sealing plate	1261184	
9	1	Flange bearing UCFL 206	2954171	
10	1	Grease nipple straight M6	2478409	
11	2	Unbrako set screw M6x8	2473195	
12	1	Flange bearing cover	1261177	
13	2	Spring washer M14 galv.	2534072	
14	2	Hexagon screw M14x35 galv.	2422396	
15	2	Hexagon screw M14x45 galv.	2422400	
16	2	Unbrako set screw M6x8	2473195	
17	1	Flange bearing UCFL 206	2954171	
18	1	Grease nipple straight M6	2478409	
19	2	Washer M14 galv.	2531072	
20	1	Flange bearing cover	1261177	
21	2	Hexagon locking nut M14 galv.	2483612	
22	2	Washer M10 galv.	2531060	





Spare parts catalogue

DUUN**Sand spreader SA1500**

Group: 126-1-	Control valve and parts	Edition: 9.2008
---------------	-------------------------	-----------------

Pos.no.	Quantity	Designation	Article no.	Comment
1	2	Quick coupling 1/2" ISO male	2957860	
2	2	Hydraulic gasket 1/2" BSP	2957861	
3	2	1/2" hose R2T L1780SA	2958145	
4	1	1/2" hose R2T L1840SA	2958146	
5	3	Hexagon nipple BSP 1/2" ext. GEK15	2957768	
6	1	Quantity regulation valve LHS910 1/2"	2955342	
7	1	T- hexagon nipple L15-L15-L155	2957775	
8	1	1/2 hose R2T L-1910 S17	2958147	
9	2	Hexagon locking nut M6 galv.	2483608	
10	2	Hexagon screw M6x50 galv.	2422217	
11	1	Upper valve bracket	1261154	
12	2	Hexagon screw M10x40 galv.	2422303	
13	1	Lower valve bracket	1261153	
14	4	Hexagon screw M10x35	2422301	
15	12	Washer M10 galv.	2531060	
16	6	Hexagon locking nut M10 galv.	2483610	
		Compl. regulation set	1261115	